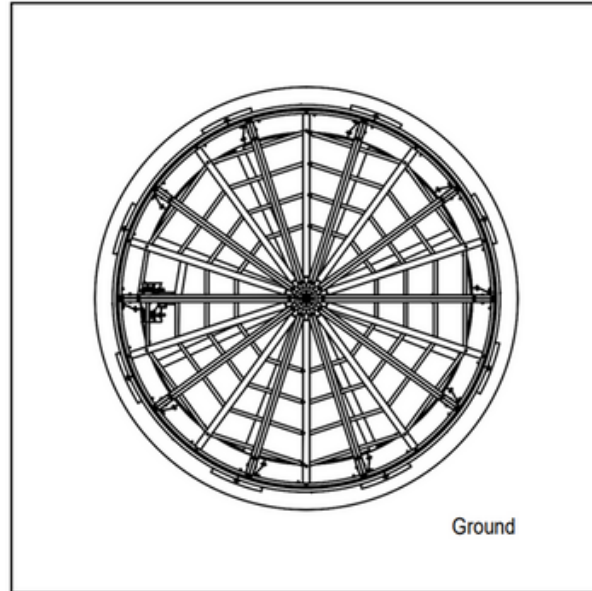
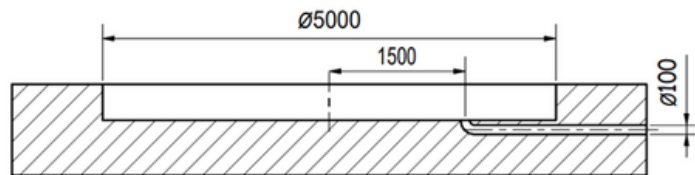




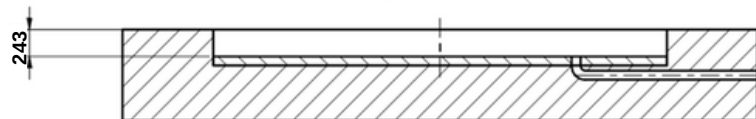
Groundworks



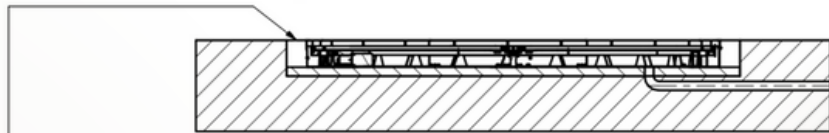
STEP 1. - Dig the hole with drain pipe



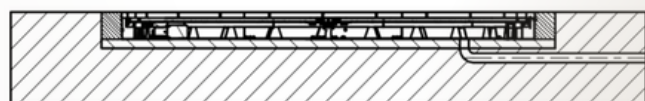
STEP 2. - Concrete the floor of the hole (minimum concrete thickness 100 mm, C25 specification)



STEP 3. - Place CTT on position inside the hole



STEP 4. - Pour concrete inside the space between ground and CTT



WELL DONE